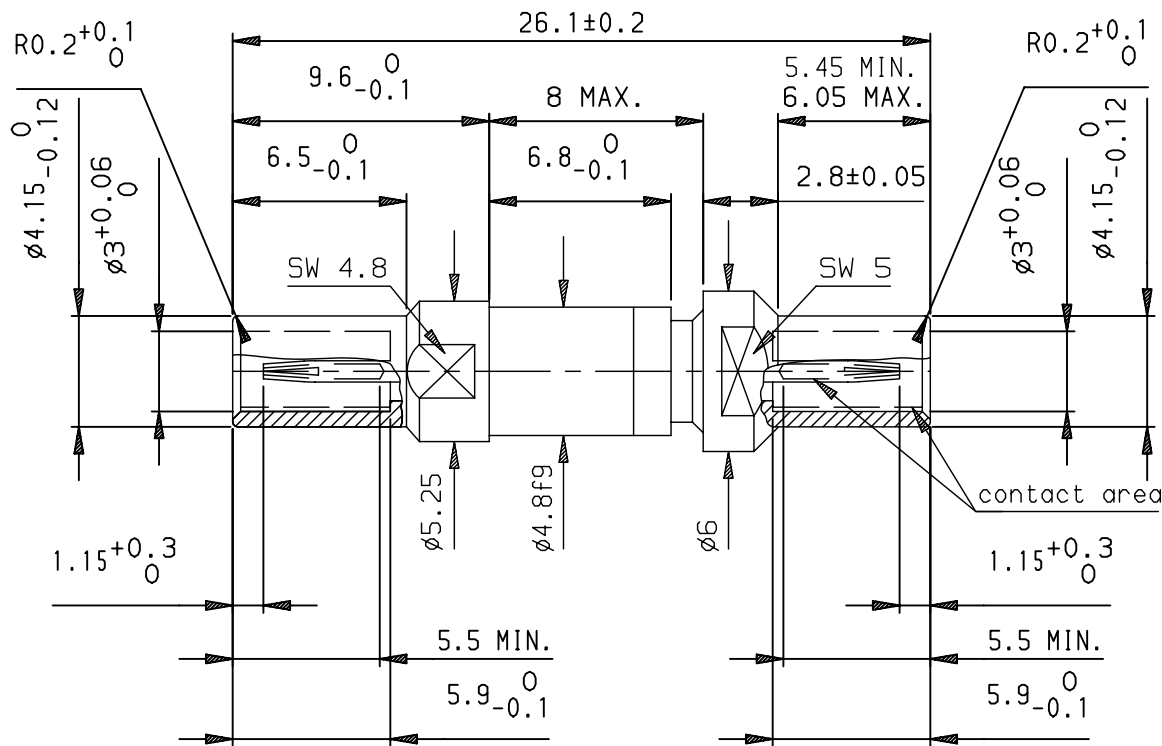


LEAD-FREE PART NUMBER	PCB THICKNESS
85985-001LF	3.2 mm



1.3 μm Au MIN  
PLATING CONTACT AREA

NOTES:

- 1 UNDERPLATING Ni
- 2 DIM. ACC. DIN 41626
- 3 GEN. TOL. ±0.10
4. THIS PRODUCT WITH "LF" SUFFIX MEETS EUROPEAN UNION DIRECTIVES AND OTHER COUNTRY REGULATIONS AS DESCRIBED IN GS -22-008.
5. THE PRODUCT IS NOT INTENDED TO BE EXPOSED TO A MANUFACTURING SOLDER PROCESS.
6. PACKAGING SPEC: SEE GS-14-920

European Views

www.fciconnect.com		surface ISO 1302	tolerance std ISO 406 ISO 1101	projection mm	size A3	Scale 5
		TOLERANCES UNLESS OTHERWISE SPECIFIED				
Dr	GOISNARD	2006/03/06	ANGULAR	0.X	±0.1	
Eng	GOISNARD	2006/03/06	LINEAR	0.XX	±0.1	
Chr	LEGARE	2006/03/06	0.XX' ±2'	0.XXX	±0.1	ECN LS08-0057
Appr	LEGARE	2006/03/06	Product family	METRAL		Spec ref -
FCI		DIN COAX RCP		85985		Rev. F
		COUPLER ADJUSTABLE		CUSTOMER		sheet 1 of 1
		catalog no				

rev	ecn no	dr	date
D	LS06-0022	LGO	2006/03/06
E	LS07-0214	LGO	2007/08/21
F	LS08-0057	LGO	2008/02/18
-	-	-	-
-	-	-	-
-	-	-	-